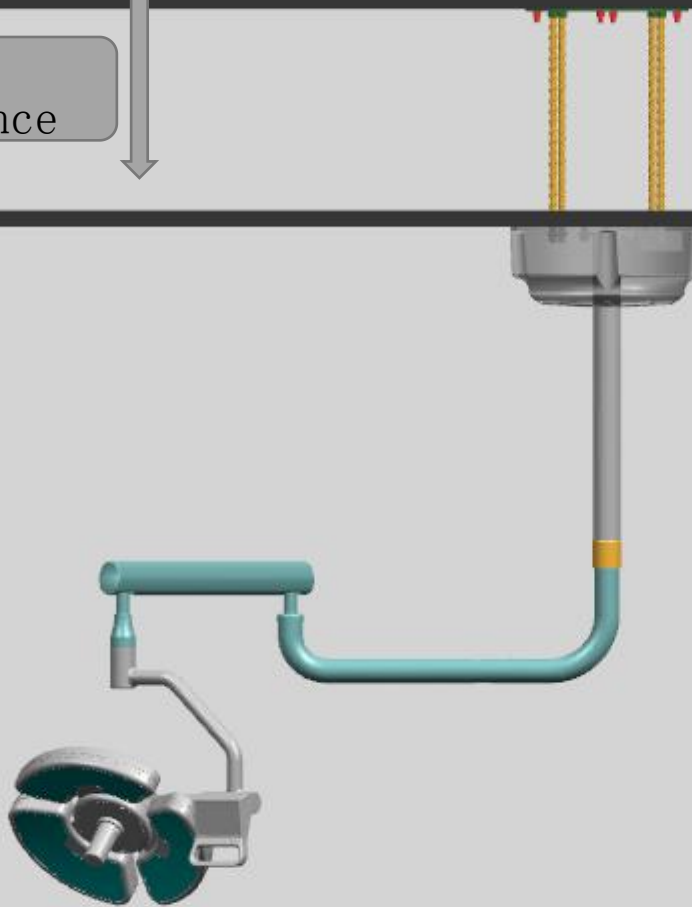


安装示意图
Installation instruction

房顶
concrete

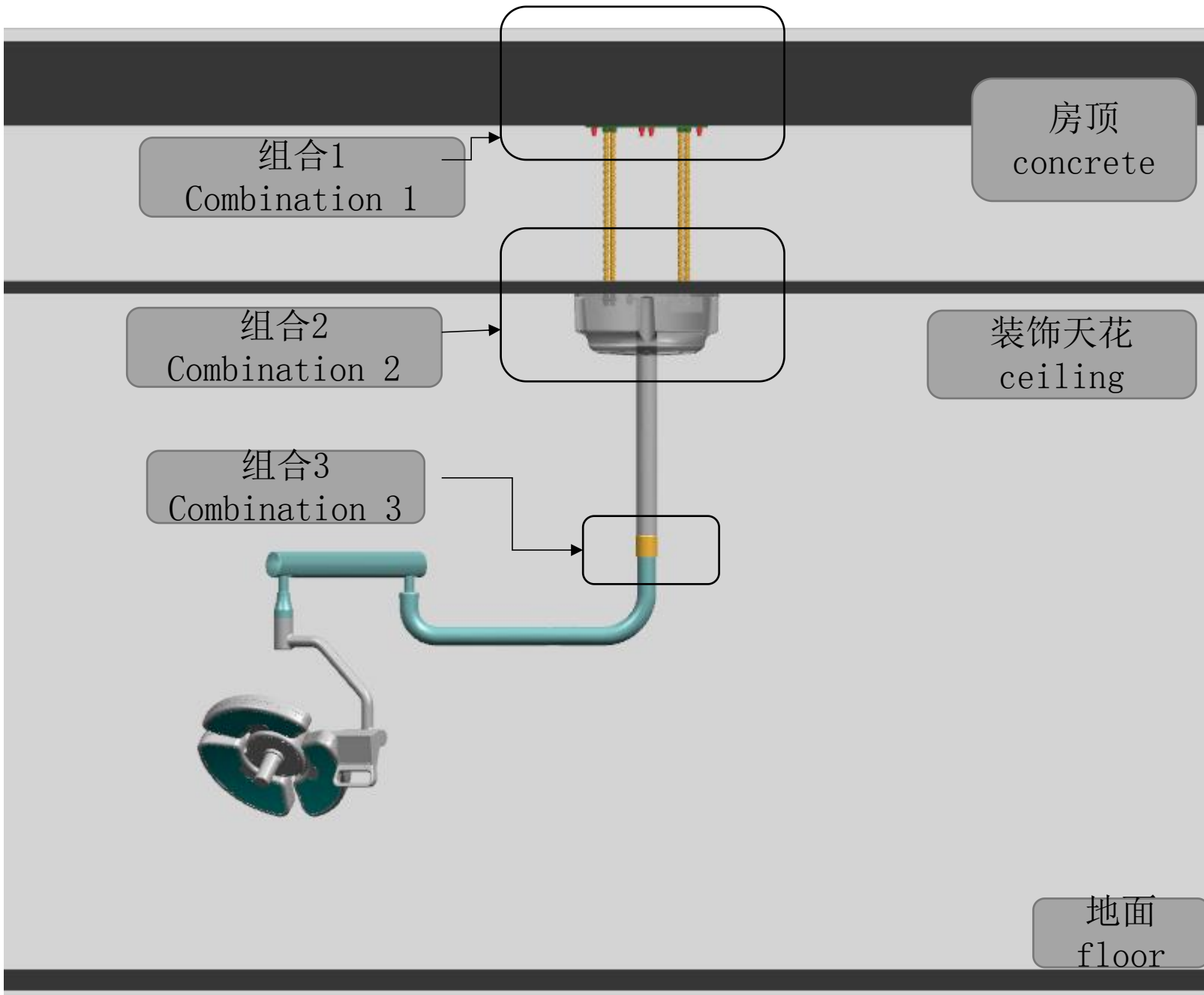
客户提供距离
Customers provide distance

天花吊顶
ceiling

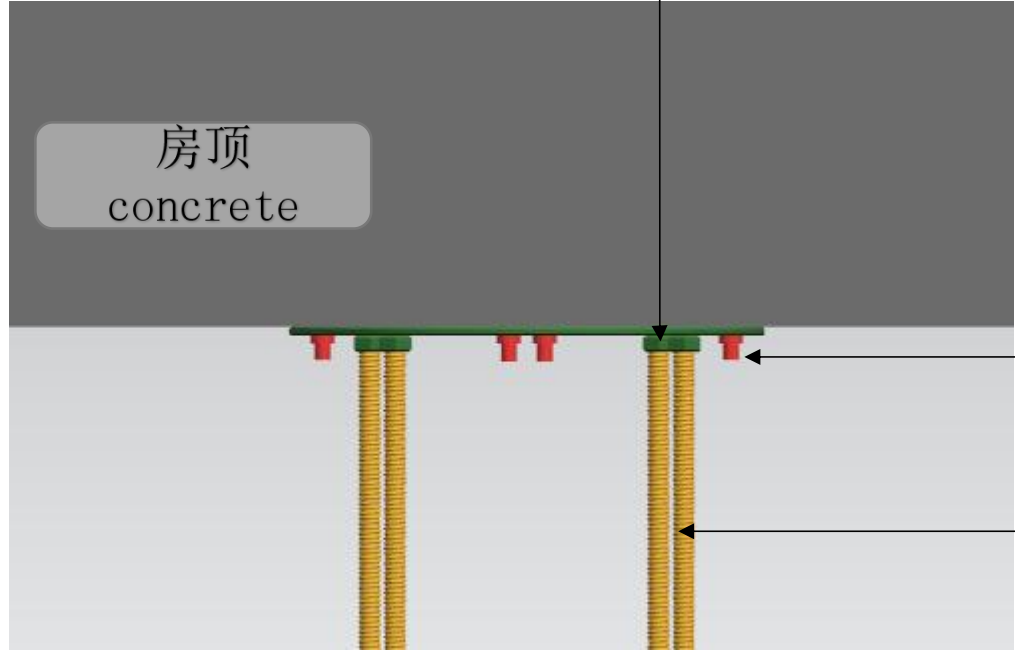


客户提供距离
Customers provide distance

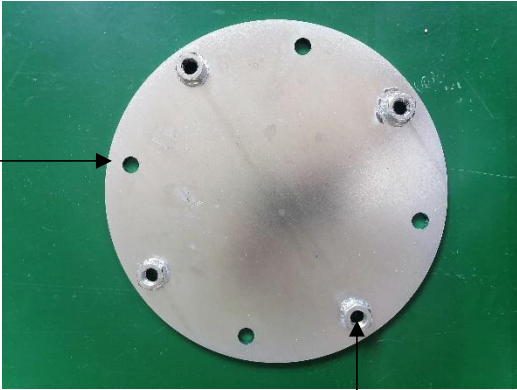
地面
floor



组合一
Combination 1



1: 拉爆螺栓固定房顶
Pulls explodes the screws into the
concrete



M10膨胀螺丝
M10 expansion screws

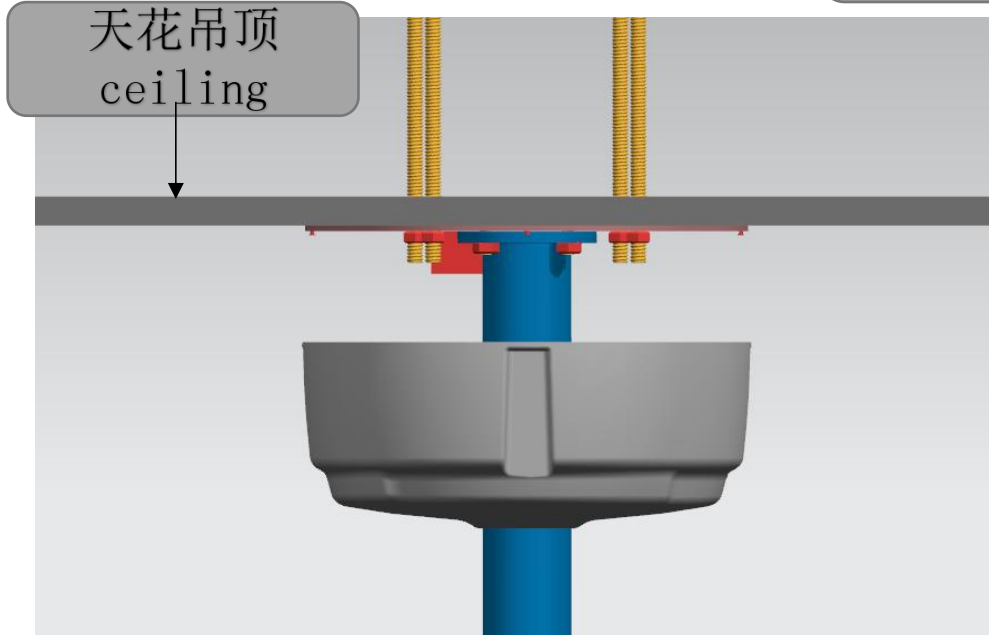
190mm底板
190mm bottom board

2: 丝杆安装
Install steeve

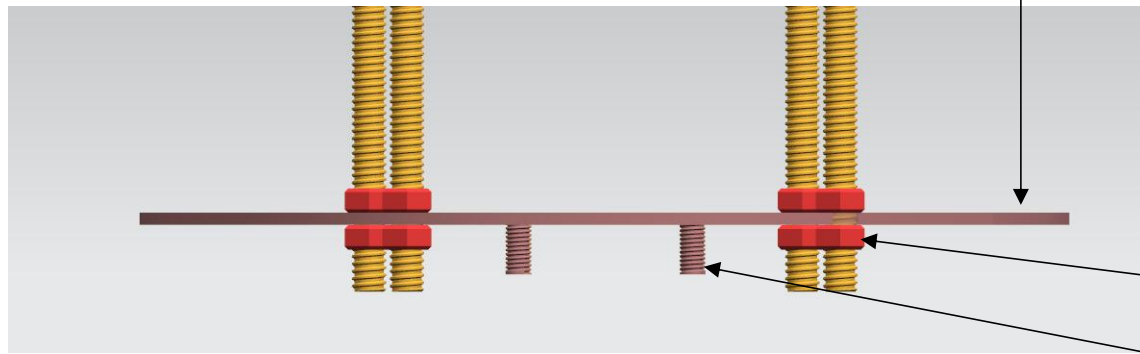
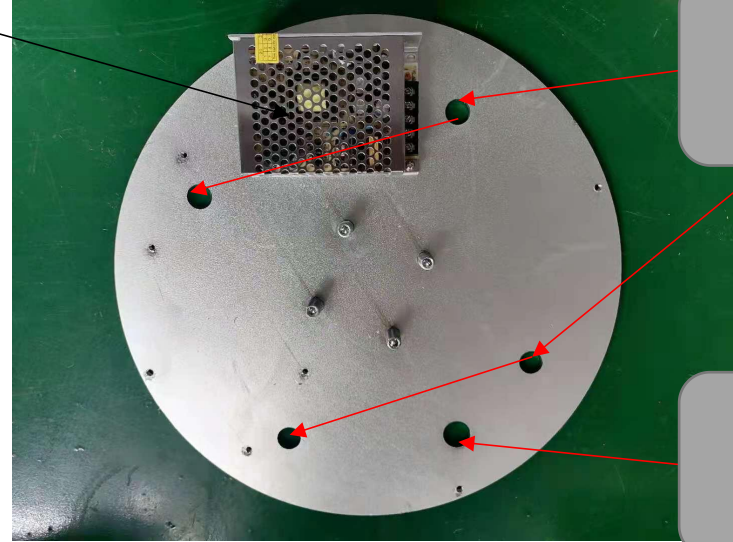


M14丝杆
M14 steeve

组合二
Combination 2



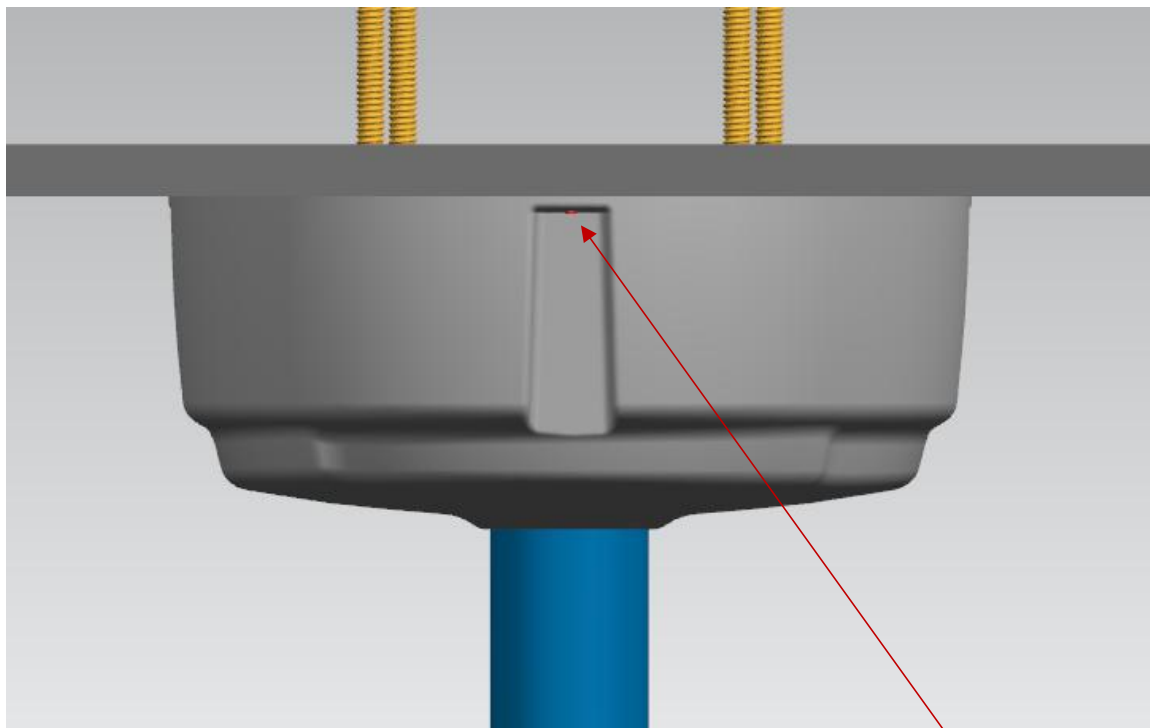
电源
Electric power



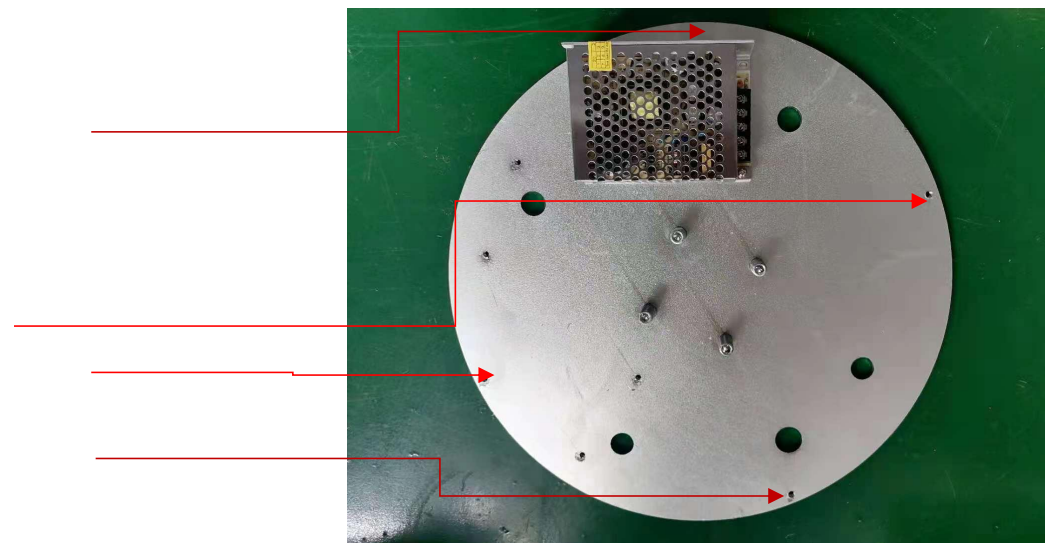
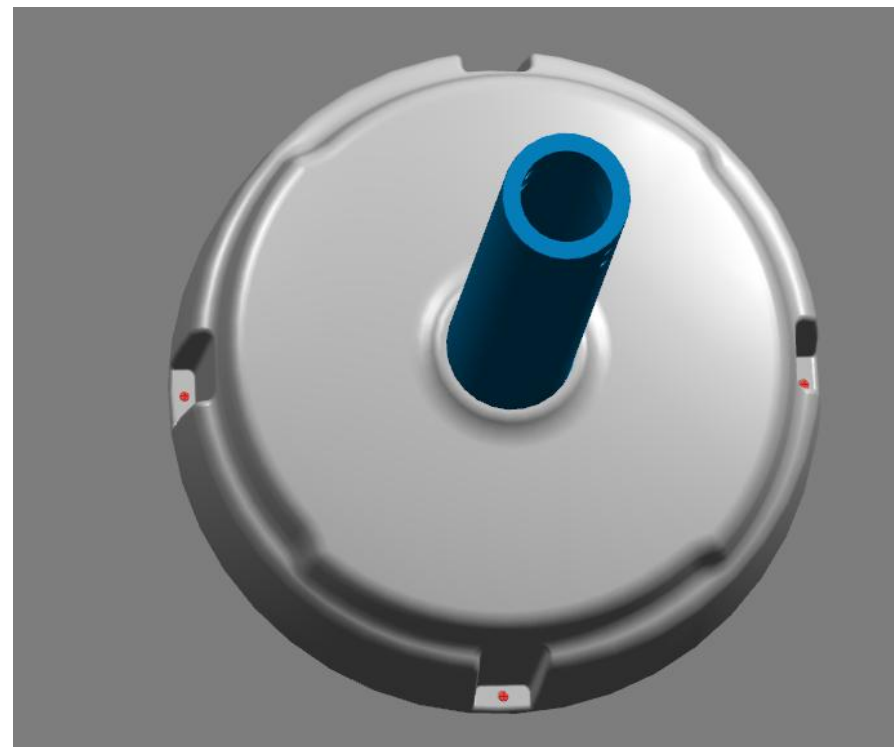
1: 根据丝杆过孔, 穿线孔在天花吊顶相对应位置开孔
Make holes on the ceiling according to relevant positions

2: 螺杆上四个螺母后固定大圆盘, 大圆盘螺纹向下, 上下固定螺母。
Use the strews of steeve to fix the disk, put the disk down, and then fix the screws

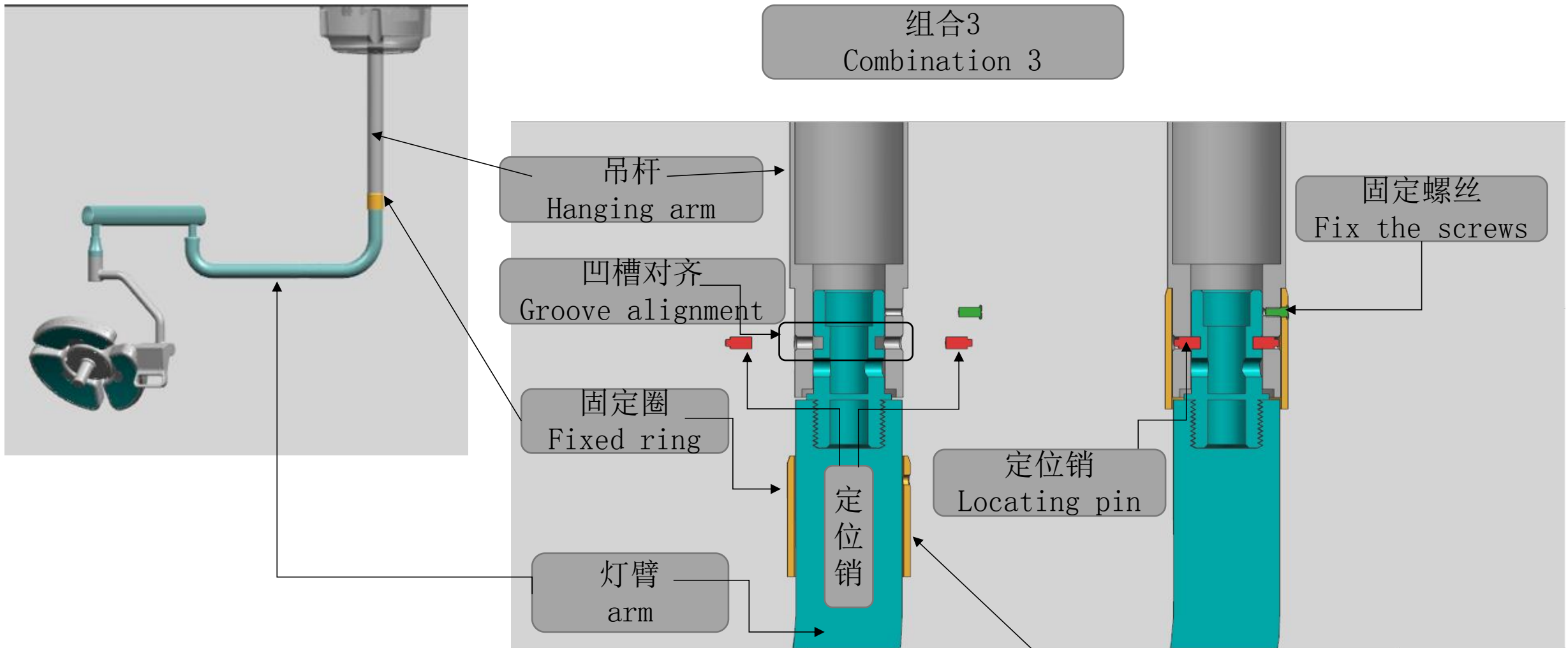
4: 螺丝固定灯罩
Use the screws to fix the disk



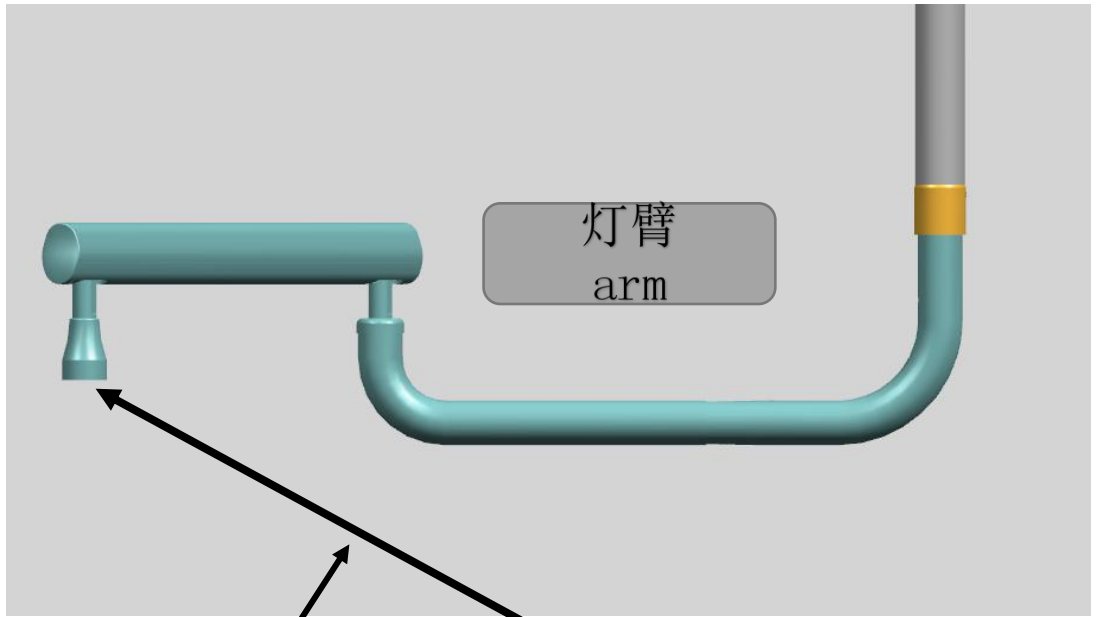
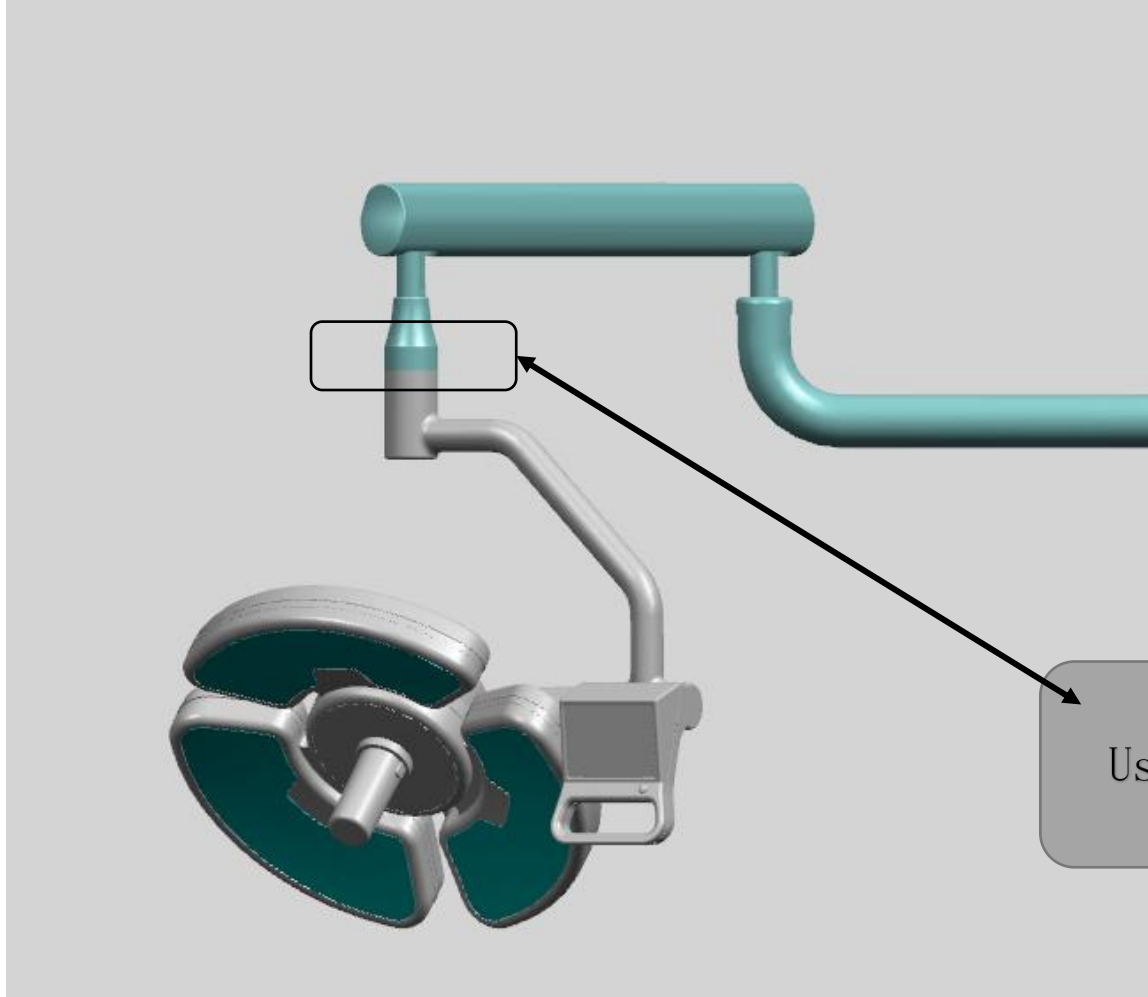
螺丝固定位置4颗
The fixed position for 4 screws



组合3
Combination 3



吊杆。灯臂连接之前将**固定圈**套入灯臂，对齐黑色框标识凹槽，放入定位销，注意小头向外，上移固定圈，用螺丝固定。
Put the fixed ring into the arm before connecting hanging arm and the arm, put the locating pin into grooves, small side outward, move up the fixed ring, and the then fix the screws



螺丝连接固定
Use the screws to
fix

灯组
Led lamp

